



24" Drawer Microwave Oven

As true cooking instruments, Wolf microwave ovens have features that make fast meals better meals. With easy access to the food, drawer microwaves can be built in undercounter or in a wall application. They are designed to match the trim style of Wolf E Series ovens and can be installed in a standard or flush inset application.



Model MWD24-2U/S shown.

Features

- Classic stainless steel finish.
- Trim style matches Wolf unframed E Series ovens.
- Can be installed in a standard or flush inset application.
- 950 watts of power with one cu ft of interior drawer space.
- Interior easily accommodates a 9" x 13" pan.
- Easy-to-operate control panel has 11 programmable power levels.
- Sensor cooking to monitor and adjust settings.
- Micro warm allows you to keep food warm up to 30 minutes.
- Interactive display—99 minutes, 99 seconds.
- Window in drawer allows you to view food as it cooks.
- One-touch pads to open and close the drawer.
- Control panel can be deactivated or locked.



Classic

Model

MWD24-2U/S

Trim Style

Unframed



Control Panel

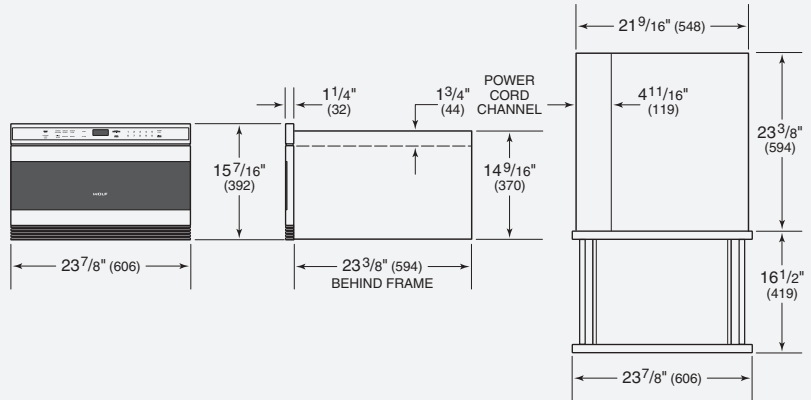


Model MWD24-2U/S



24" Drawer Microwave Oven

Overall Dimensions



Unit dimensions may vary by $\pm 1/8$ ".

Specifications

Overall Width	23 ⁷ / ₈ "
Overall Height	15 ⁷ / ₁₆ "
Overall Depth	23 ³ / ₈ "
Oven Interior Capacity	1 cu ft
Oven Interior Dimensions	17 ³ / ₈ " W x 5 ⁷ / ₈ " H x 17 ¹ / ₈ " D
Recommended Cabinet Width	27"
Minimum Cabinet Depth	Standard 23 ¹ / ₂ " Flush Inset 24 ³ / ₄ "
Opening Width	22 ¹ / ₈ "
Min Flush Inset Width	24 ³ / ₈ "
Opening Height	14 ³ / ₄ "
Min Flush Inset Height	15 ¹⁵ / ₁₆ "
Minimum Base Support	100 lbs
Power	950 W
Electrical Rating	1.5 kW
Electrical Requirements	120 V AC, 60 Hz 15 amp circuit
Power Cord	4' cord with grounded plug
Shipping Weight	91 lbs

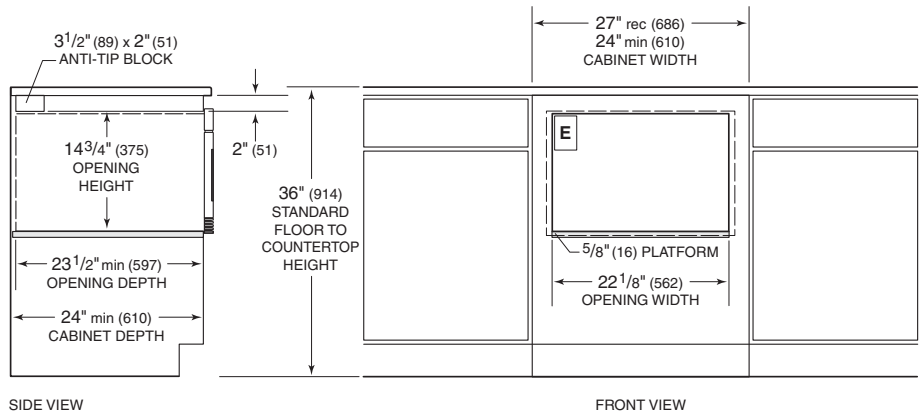
Installation Notes

Wolf drawer microwave ovens may be used in a standard installation, where the face trim overlaps stiles and rails, or in a flush inset installation with the front of the oven flush with surrounding cabinetry.

Complete installation specifications can be found on our website, wolfappliance.com.

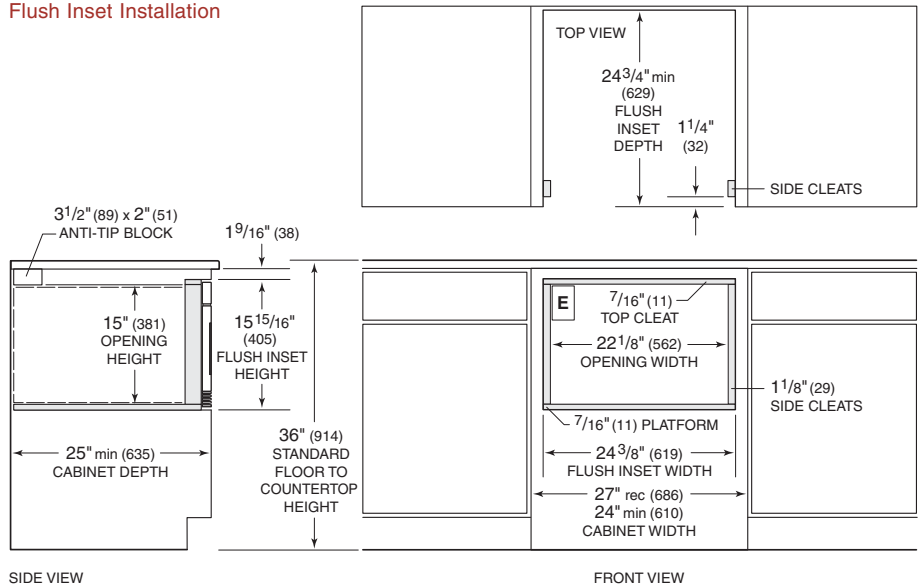
Installation Specifications

Standard Installation



Dashed lines represent profile of unit.

Flush Inset Installation



Dashed line represents profile of unit.

Dimensions in parentheses are in millimeters unless otherwise specified.