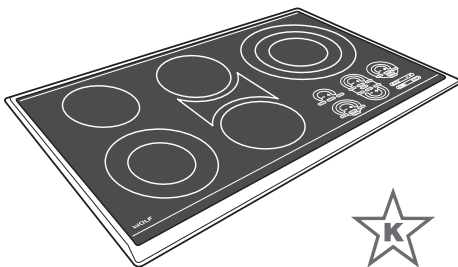


FEATURES

- Stainless steel trim to match Wolf transitional products.
- Ceran glass-ceramic surface for scratch resistance and easy cleaning.
- High-frequency pulsation technology for consistent heating.
- Five elements with nine zones for cookware of all sizes.
- Bridge zone connects two elements to create a 7" x 16" cooking area.
- Wolf exclusive melt setting for gentle heat, and true simmer setting prevents scorching.
- Illuminated touch controls with graduated control lighting.
- Hot-surface indicator.
- Universal off turns all elements off.
- Control panel lock.
- Independent timer up to 99 minutes.
- Temperature limiter ensures safe operating temperature of glass-ceramic surface is never exceeded.



Model CT36E/S

MODEL

Framed

CT36E/S

ACCESSORIES

- Filler strip for installation with another cooktop or module.

Accessories available through an authorized Wolf dealer. For local dealer information, visit the find a showroom section of our website, wolfappliance.com.

SPECIFICATIONS

PRODUCT

Dimensions 36"W x 3³/₄"H x 21"D
 Weight 60 lb

ELECTRICAL

Supply 3-wire, 240/208 VAC, 60 Hz
 Service 50 amp circuit
 Conduit 4' flexible

ELEMENT

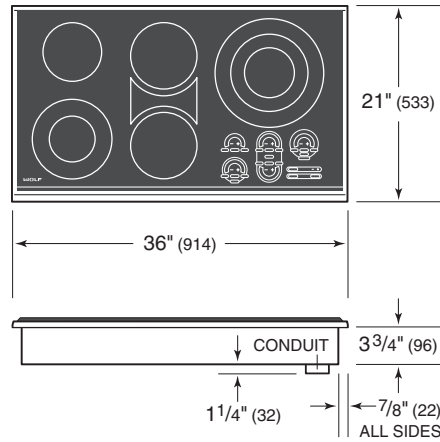
Diameter 12", 9", (2) 7", 6¹/₂"

POWER RATING

ELEMENT

	W
Triple	1050 / 2200 / 2700
Dual	700 / 2200
Single	(2) 1800, 1200
Bridge	4400

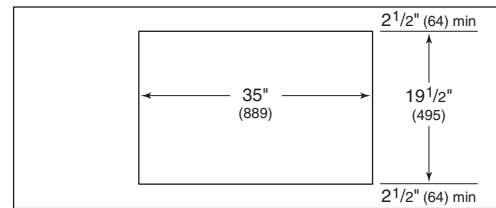
DIMENSIONS



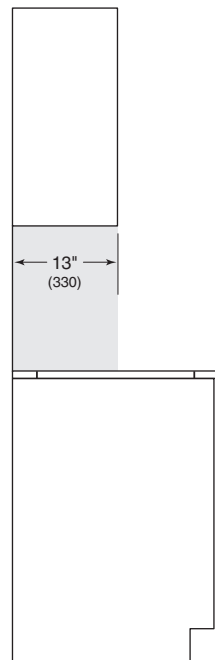
Specifications are subject to change without notice. Visit wolfappliance.com/specs for the most up-to-date information.

Dimensions may vary ±1/8" (3). Dimensions in parentheses are millimeters unless otherwise specified.

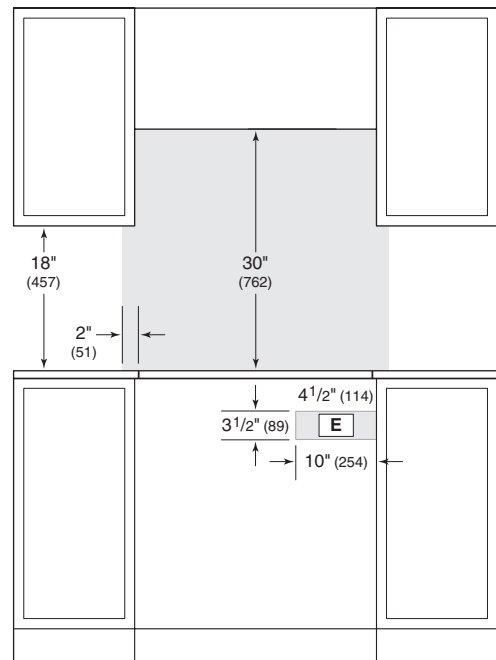
INSTALLATION



COUNTERTOP CUT-OUT



SIDE VIEW



FRONT VIEW

NOTE: Shaded area above countertop indicates minimum clearance to combustible surfaces, combustible materials cannot be located within this area.
 Electrical supply location only applies to installations with built-in oven.