



**Built-In Model 695
Side-by-Side Ice/Water Dispensing**

Model 695 is our largest side-by-side refrigerator/freezer with ice and water dispensing through the door. The built-in design at true cabinet depth, allows easy access to every inch of the interior. The Sub-Zero dual refrigeration system assures superior food preservation and no odor transfer. Model 695 is available in the framed, overlay and classic stainless steel design applications.



Framed



Overlay

Features

- Framed, overlay and stainless steel design applications
- Stainless steel design available in classic, platinum and carbon finishes
- Through-the-door ice and water dispenser
- Dual refrigeration system
- Electronic digital controls
- Bright interior lighting
- Adjustable, spill-proof glass shelves and adjustable door shelves
- High-humidity crisper drawer with removable divider
- Door alarm
- Automatic ice maker with bulk ice dispenser
- Front venting allows unit to be completely built in and serviced from the front
- Meets strict Department of Energy requirements

Model Options

Model Options	695/F	695/O	695/S
Design/Finish	Framed	Overlay	Classic
Louvered Grille	■		
Panel Grille – Accepts Decorative Inserts		■	
Heavy-Duty Stainless Steel Grille			■

Interior Features

- **Refrigerator**
 - 4 Adjustable Glass Shelves
 - 1 Stationary Glass Shelf
 - High Humidity Compartment with Divider
 - 2 Storage Drawers
 - Adjustable Roll-Out Deli Basket
 - 3 Adjustable Door Shelves
 - Adjustable Dairy Compartment
 - Egg Container
- **Freezer**
 - Automatic Ice Maker
 - 2 Adjustable Wire Shelves
 - 1 Stationary Solid Shelf
 - 3 Storage Drawers
 - 5 Adjustable Door Shelves
 - 2 Juice Can Shelves

Accessories

- Louvered, panel and stainless steel (classic, platinum and carbon) grilles in 1" height increments from 10" to 15"
- Front and grille panels for framed design (white and classic stainless steel)
- Side panels in white and classic stainless steel
- Extended full-length framed handles
- Stainless steel (classic, platinum and carbon) tubular handles for overlay design
- Polished chrome handles for overlay design
- Gallon door shelf
- Dozen egg container with lid
- 90° and 105° door stop kits

Accessories are available through your Sub-Zero dealer. To obtain local dealer information, visit the Locator section of our website, subzero.com.



With the installation of a harness kit, this appliance is certified by Star-K to meet strict religious regulations in conjunction with specific instructions found on www.star-k.org.



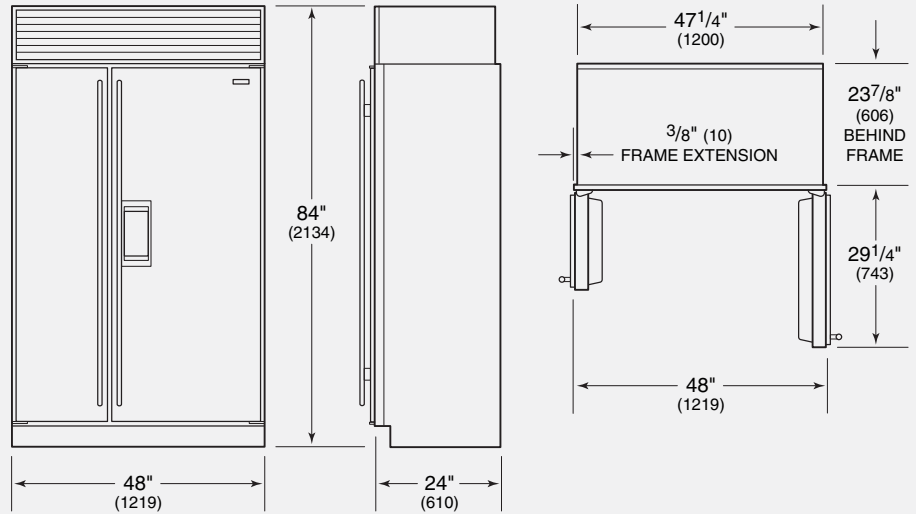
Classic

Model 695 is not available in Platinum or Carbon.



**Built-In Model 695
Side-by-Side Ice/Water Dispensing**

Overall Dimensions



Unit dimensions may vary by $\pm 1/8"$.

Specifications

Overall Width	48"
Overall Height (with standard 11" grille)	84"
Overall Depth	24"
Door Swing Clearance	29 1/4"
Refrigerator Capacity	18.2 cu ft
Freezer Capacity	9.8 cu ft
Opening Width	47 1/2"
Opening Height	83 3/4"*
Minimum Height Required	83"
Opening Depth	24"
Electrical Requirements	115 V AC, 60 Hz 15 amp dedicated circuit
Plumbing Requirements	1/4" OD copper line 20–100 psi
Annual Energy Usage	\$68**
Shipping Weight	Framed – 610 lbs Overlay – 610 lbs Stainless Steel – 656 lbs

*Height with standard 11" grille.

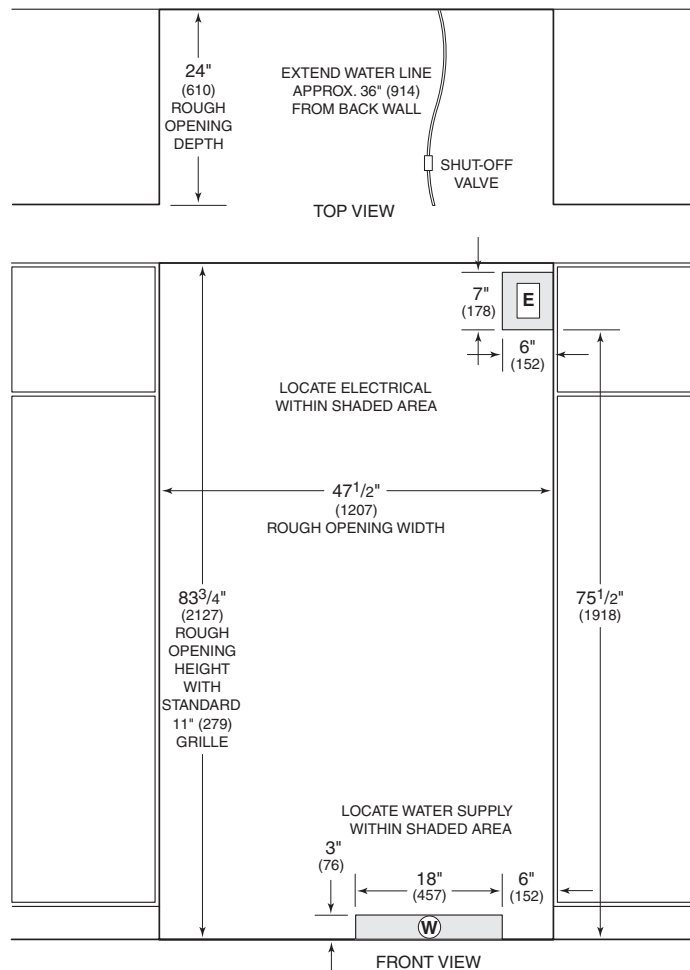
**Based on 9.06 cents per kilowatt hour.

Installation Notes

For framed and overlay models, you will be adding door panels for a custom look. Overlay models also allow you to match surrounding cabinetry hardware and the panel grille accepts custom panel inserts.

Complete installation specifications, including panel sizes, can be found on our website, subzero.com.

Installation Specifications



Dimensions in parentheses are in millimeters unless otherwise specified.