

60" DUAL FUEL RANGE - 6 BURNERS, INFRARED CHARBROILER AND INFRARED GRIDDLE



DF606CG



FEATURES

- 6 dual-stacked burners plus 16,000 infrared broiler and 15,000 Btu griddle
- Over 9 cubic feet of dual convection capacity in two ovens
- Dual-stacked burners produce up to 20,000 Btu
- Burners capable of delivering less than 300 Btu for premier simmer performance
- 10 cooking modes make meals easy
- Exclusive pivoting control panel
- Rigorously tested in our U.S. manufacturing facilities for decades of use
- Exceptional 24/7 support from our Customer Care team in Madison
- Continuous cast-iron grates for easy movement of pots and pans
- Cobalt blue porcelain interior
- Dual convection oven for faster, more consistent cooking
- Spark ignition system re-ignites if flame goes out
- Heavy-gauge stainless steel
- Red, black or stainless steel control knobs
- Temperature probe lets you know when it's done
- Self clean, delayed start, timed cook, Sabbath mode and more

ACCESSORIES

- 11" Cutting Board
- Bake stone kit (stone, rack and peel)
- Stainless steel, brass or chrome bezels
- Front leg and rear caster covers
- High altitude conversion kit
- Dehydration kit (racks and door stop)
- Full-extension easy glide oven rack
- Cast iron S-grates and wok grate
- Stainless steel kickplate
- Signature red, black or stainless steel control knobs
- Temperature probe and broiler pan
- 5" and 10" stainless steel risers, and 20" riser with shelf
- Set of three standard oven racks

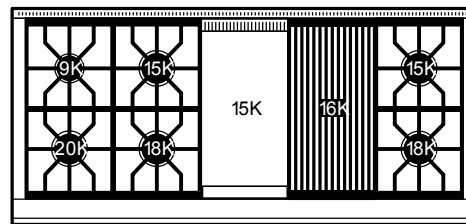
Accessories available through an authorized Sub-Zero dealer. For local dealer information, visit subzero-wolf.com/locator.



KNOB OPTIONS



TOP CONFIGURATION



RANGETOP SPECIFICATIONS

- 1 - 9,200 Btu Burner
- 2 - 15,000 Btu Burners
- 2 - 18,000 Btu Burners
- 1 - 20,000 Btu Burner
- 1 - 16,000 Btu Charbroiler
- 1 - 15,000 Btu (14,000 Btu LP) Griddle

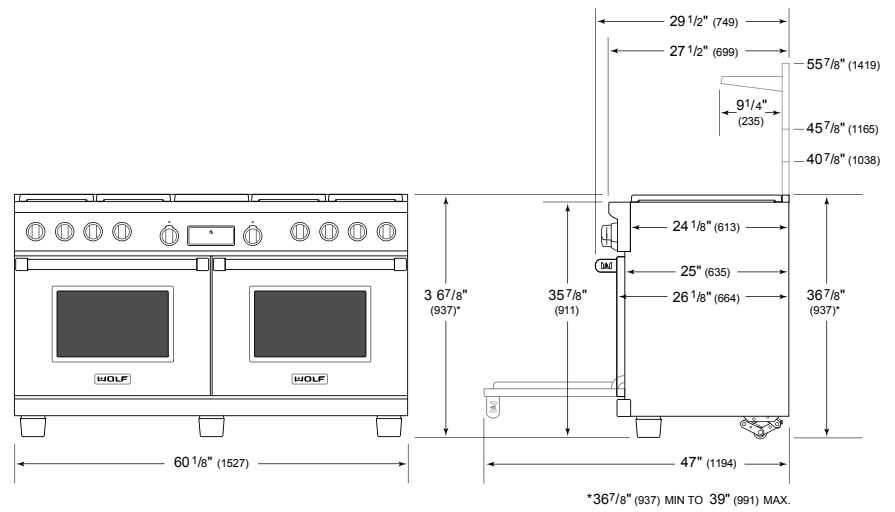
60" DUAL FUEL RANGE - 6 BURNERS, INFRARED CHARBROILER AND INFRARED GRIDDLE



PRODUCT SPECIFICATIONS

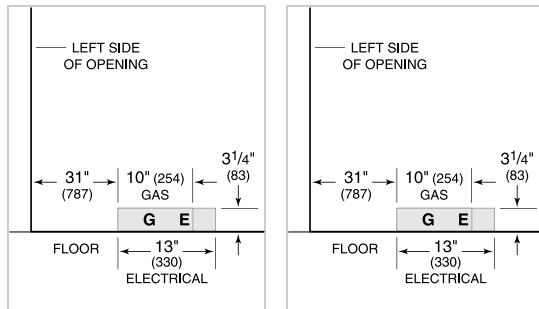
Model	DF606CG
Dimensions	60 1/8"W x 36 7/8"H x 29 1/2"D
Oven 1 Usable Capacity	2.8 cu. ft.
Oven 1 Overall Capacity	4.5 cu. ft.
Oven 2 Usable Capacity	2.8 cu. ft.
Oven 2 Overall Capacity	4.5 cu. ft.
Door Clearance	19 1/2"
Weight	950 lbs
Electrical Supply	240/208 VAC, 60 Hz
Electrical Service	50 amp dedicated circuit
Gas Supply	3/4" rigid pipe
Gas Inlet	1/2" NPT female

DIMENSIONS

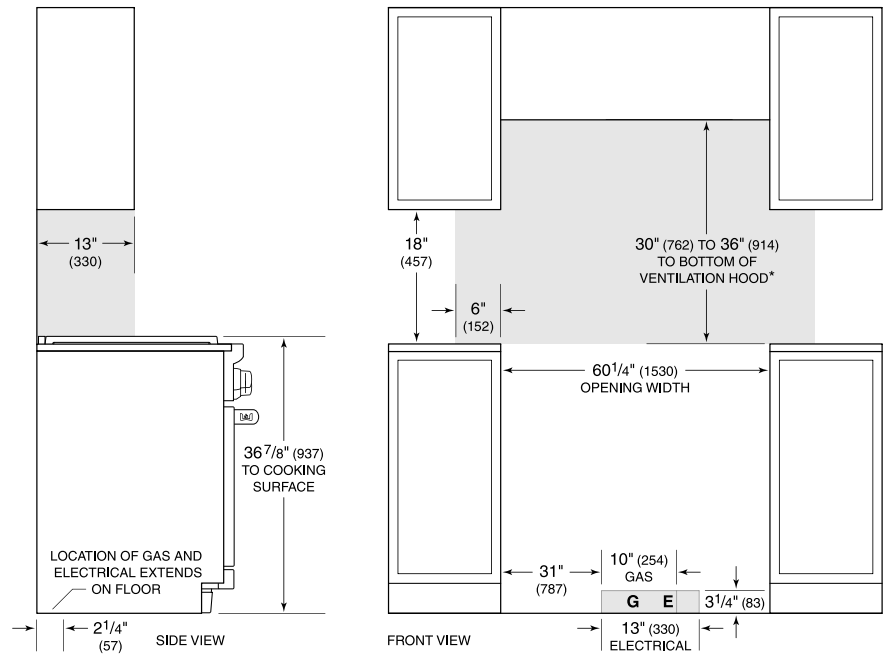


ELECTRICAL

GAS



STANDARD INSTALLATION



*Without ventilation hood, 36" (914) minimum clearance countertop to combustible materials, 44" (1118) for charbroiler.

NOTE: Shaded area above countertop indicates minimum clearance to combustible surfaces, combustible materials cannot be located within this area.

For island installation, 12" (305) minimum clearance back of range to combustible rear wall above countertop.