

## CSO30PE/S/PH

### FEATURES

Detects the volume, shape, and consistency of your food with a climate sensor that adjusts time (you can even delay the start for when you want your dish ready), temperature, and humidity for guesswork-free delicious results, every time

Features space enough to cook multiple dishes at once (or a 15-lb turkey)

Insert a temperature probe to tell you exactly when it is done—and in gourmet mode, it will alert you the moment the dish is ready.

Provides an extraordinary 90 minutes of steam cooking with an easy-access water tank

Makes a statement with Wolf's iconic professional look and handle

Integrates beautifully into surrounding cabinetry with flush installation

Master your technique with tips and recipes from the Master the Convection Steam Oven guide

### ACCESSORIES

Descaling Solution

Full Extension Rack Guides

Perforated Pan - 12 3/4" x 1 1/2" x 7"

Perforated Pan - 17 3/4" x 1 1/4" x 15"

Perforated Pan 12 3/4" x 2 1/2" x 7"

Porcelain Steam Enameled Broil Pan

Side Trim

Solid Pan - 12 3/4" x 1 1/2" x 7"

Solid Pan - 17 3/4" x 1 1/4" x 15"

Solid Pan 12 3/4" x 1 1/4" x 14"

Standard Oven Rack

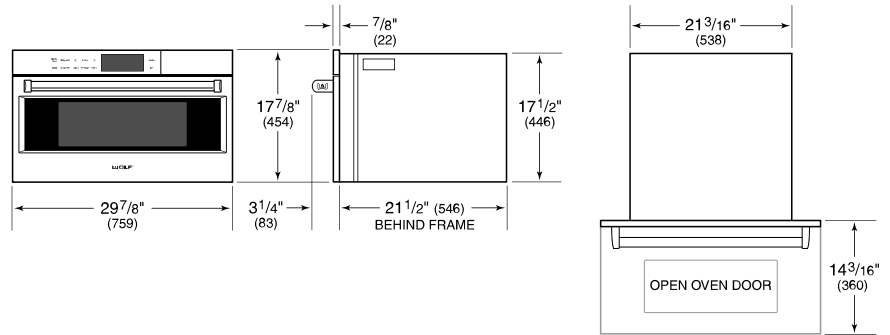
Accessories available through an authorized dealer.  
For local dealer information, visit [subzero-wolf.com/locator](https://subzero-wolf.com/locator).



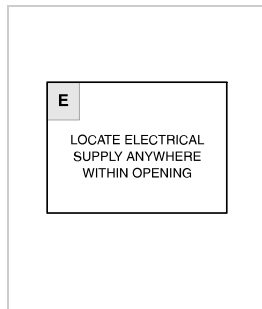
**PRODUCT SPECIFICATIONS**

|                          |                                |
|--------------------------|--------------------------------|
| Model                    | CSO30PE/S/PH                   |
| Dimensions               | 29 7/8"W x 17 7/8"H x 21 1/2"D |
| Oven Interior Dimensions | 17 7/8"W x 11"H x 15 3/4"D     |
| Overall Capacity         | 1.8 cu. ft.                    |
| Door Clearance           | 14 3/16"                       |
| Weight                   | 91 lbs                         |
| Electrical Supply        | 240/208 VAC, 60 Hz             |
| Electrical Service       | 20 amp dedicated circuit       |
| Power Cord Length        | 6 Feet                         |
| Receptacle               | NEMA 6-20R grounding-type      |

**DIMENSIONS**

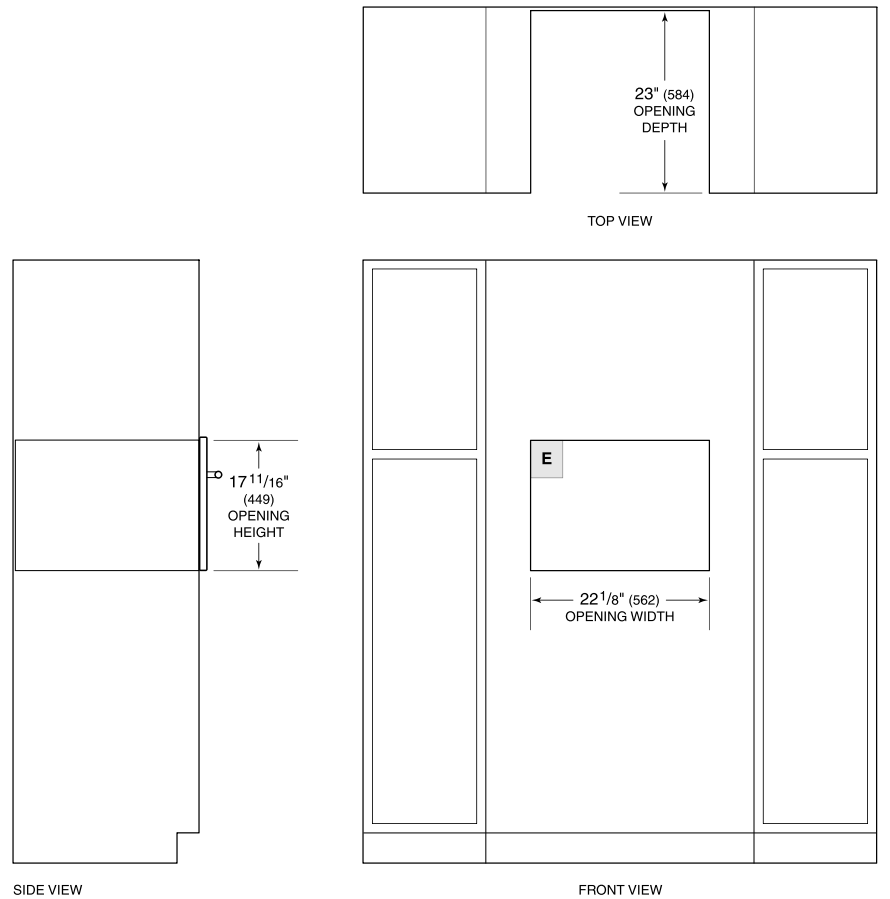


**ELECTRICAL**



**NOTE:** Dimensions in parenthesis are in millimeters unless otherwise specified

**STANDARD INSTALLATION**



**NOTE:** 24" (610) and 30" (762) models require the same opening dimensions.