

**EC24/S**

**FEATURES**

Make all your favorite coffee drinks

Uses whole-bean and pre-ground coffee

Coffee made to size, from 1 oz. to 12 oz.

Built-in burr grinder with 13 grind settings

No plumbing needed

Rigorously tested in our U.S. manufacturing facilities for decades of use

Exceptional 24/7 support from our Customer Care team in Madison

Auto-descale reminders

Five strength settings

Hot water on demand

Press Double Coffee button for two identical cups

Removable milk carafe for freshness

**ACCESSORIES**

Descaling Solution

Care Kit

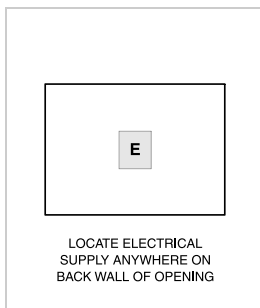
Accessories available through an authorized Sub-Zero dealer.  
For local dealer information, visit [subzero-wolf.com/locator](http://subzero-wolf.com/locator).



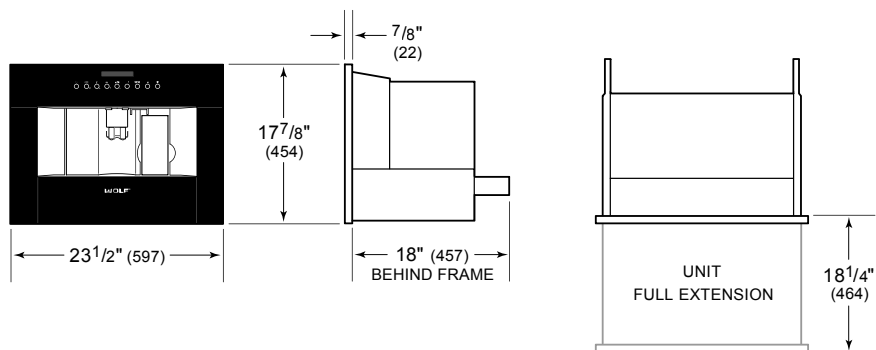
**PRODUCT SPECIFICATIONS**

Model	EC24/S
Dimensions	23 1/2"W x 17 7/8"H x 15 1/2"D
Weight	80 lbs
Electrical Supply	120 VAC, 60 Hz
Electrical Service	15 amp dedicated circuit
Power Cord Length	6 Feet
Receptacle	3-prong grounding-type

**ELECTRICAL**



**DIMENSIONS**



**STANDARD INSTALLATION**

